

PRODUCT TECHNICAL SHEET

Collection :

TRIO

Ref. :

1001.--.96

Robinet double service

Dubbele dienstkraan

Double service tap

Picture

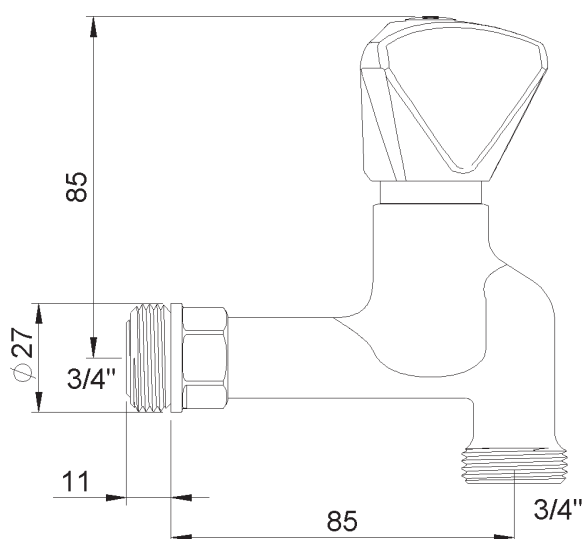


Product details

Weight : 0,7 kg

Internal mechanism : 1/3 turn compression valve

Technical drawing



RAO.V01